

# DESCRIPTION

AMC MODEL AGH-6012 60D-120 IS A OVER-OCTAVE BAND VOLTAGE CONTROLLED ATTENUATOR/MODULATOR, WITH 120 dB DYNAMIC RANGE.

# SPECIFICATIONS

- FREQUENCY RANGE ..... 6.0-12.0 GHz
- INSERTION LOSS ..... 6.0-12.0 GHz 5.5 dB MAXIMUM  
4.5-13.5 GHz 6.0 dB MAXIMUM
- ATTENUATION FLATNESS (±dB MAXIMUM)

FREQUENCY RANGE	10 dB	20 dB	40 dB	60 dB	80 dB	120 dB
6.0-12.0 GHz	0.7	1.0	1.5	1.6	2.5	3.2
4.5-13.5 GHz	0.9	1.6	3.0	3.5	5.0	7.0

- ATTENUATION ACCURACY ..... 0-30 dB ±0.5 dB MAXIMUM  
(MONOTICITY IS GUARANTEED)  
30-50 dB ±1.0 dB MAXIMUM  
50-60 dB ±1.5 dB MAXIMUM  
60-80 dB ±2.0 dB MAXIMUM  
80-120 dB ±2.5 dB MAXIMUM
- TEMPERATURE COEFFICIENT ..... ±0.025 dB/°C MAXIMUM
- SWITCHING TIME ..... 3 μS MAXIMUM
- VSWR @ 0 dB ATTENUATION ..... 6.0-12.0 GHz 2.0:1 MAXIMUM  
4.5-13.5 GHz 2.2:1 MAXIMUM
- RF POWER RATINGS  
OPERATING POWER ..... +20 dBm CW MAXIMUM  
SURVIVAL POWER ..... +30 dBm CW MAXIMUM
- CONTROL ..... 20 dB/VOLT  
(OTHER CONTROL VOLTAGES AVAILABLE)
- POWER SUPPLY ..... +12VDC @ 250 mA MAXIMUM  
-12VDC @ 100 mA MAXIMUM
- CONNECTORS  
RF INPUT/OUTPUT ..... SMA FEMALE  
POWER AND CONTROLS ..... SOLDER PIN
- SIZE ..... 3.29" x 1.85" x 0.60"  
4.68" x 3.45" x 0.80" (OPTION A04)

# AVAILABLE OPTIONS

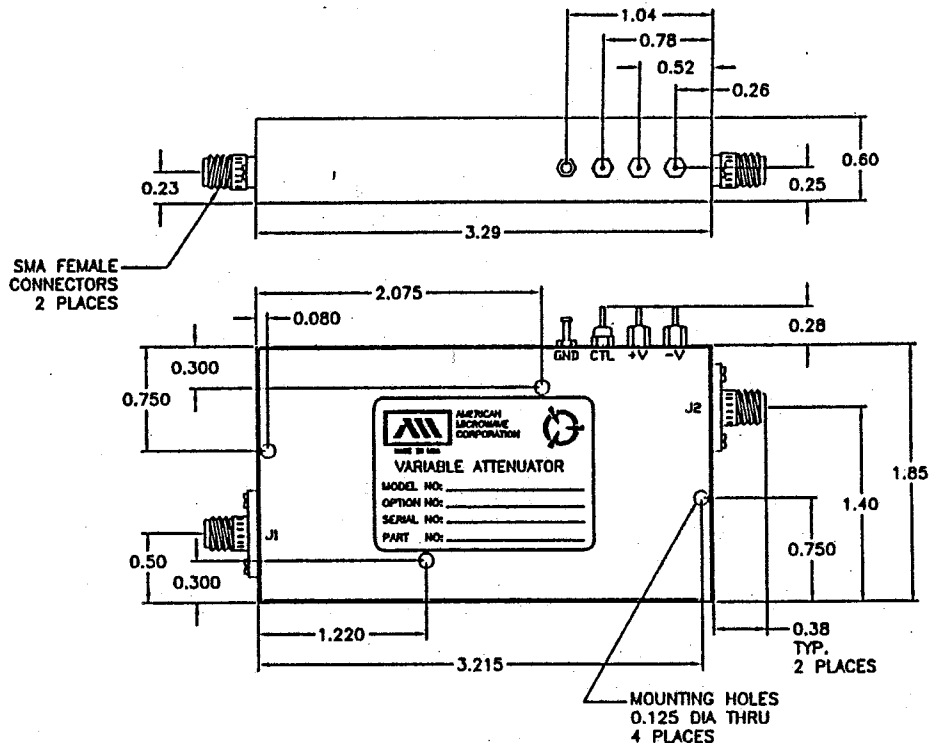
- A01 ..... TWO SMA MALE RF CONNECTORS
- A02 ..... J1 SMA MALE, J2 SMA FEMALE
- A03 ..... MOUNTING SURFACE UNPAINTED
- A04 ..... MULTIPIN ANALOG CONTROLLED UNIT (SEE SHEET 2 OF 2)  
FOR DIGITALLY CONTROLLED UNITS REFER TO DATA SHEET AGH-6012-60DD-120.
- A05 ..... ±15VDC POWER SUPPLY
- A06 ..... 0-90 dB DYNAMIC RANGE
- A07 ..... EXTENDED BANDWIDTH (4.5-13.5 GHz)
- A08 ..... LATCHING STROBE
- A09 ..... HIGH SPEED 500 nS MAXIMUM
- SCS ..... SPECIAL CUSTOMER SPECIFICATIONS

NOTE: THE ABOVE SPECIFICATIONS ARE SUBJECT TO CHANGE OR REVISION

fw  
RA

ZONE		REV.	DESCRIPTION	DATE	APPROVED
A			ORIGINAL RELEASE	12/18/97	


# MECHANICAL OUTLINE



- NOTES:
- 1) DIMENSIONS ARE IN INCHES
  - 2) TOLERANCES: X.XX ±0.020  
X.XXX ±0.010
  - 3) WEIGHT: APPROX. 7.0 OZ

# ENVIRONMENTAL RATINGS

- TEMPERATURE ..... -55°C TO +85°C (OPERATING)  
-65°C TO +125°C (STORAGE)
- HUMIDITY ..... MIL-STD-202F, METHOD 103B COND. B
- SHOCK ..... MIL-STD-202F, METHOD 213B COND. B
- VIBRATION ..... MIL-STD-202F, METHOD 204D COND. B
- ALTITUDE ..... MIL-STD-202F, METHOD 105C COND. B
- TEMPERATURE CYCLE ..... MIL-STD-202F, METHOD 107D COND. A

		<b>AMERICAN MICROWAVE CORPORATION</b> 7311G GROVE RD., FREDERICK, MD. 21701 TEL: (301) 662-4700 FAX: (301) 662-4938	
		PRELIMINARY PRODUCT FEATURE <b>AGH-6012-60D-120</b> 6.0-12.0 GHz, VOLTAGE VARIABLE ATTENUATOR	
APPROVALS DRAWN: <i>Blg</i> CHECKED: <i>WP</i>	DATE 12/18/97 12/19/97	SIZE A	SHEET 1 OF 2